

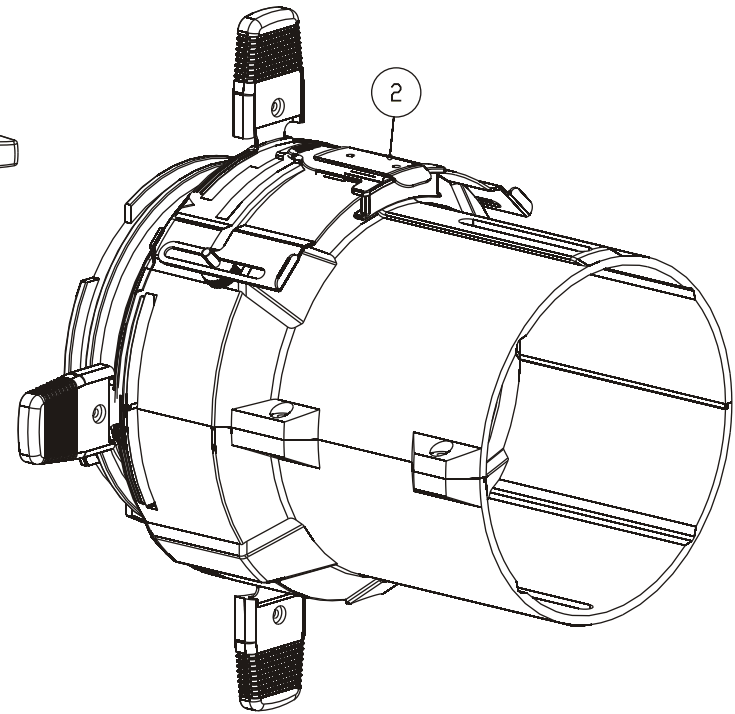
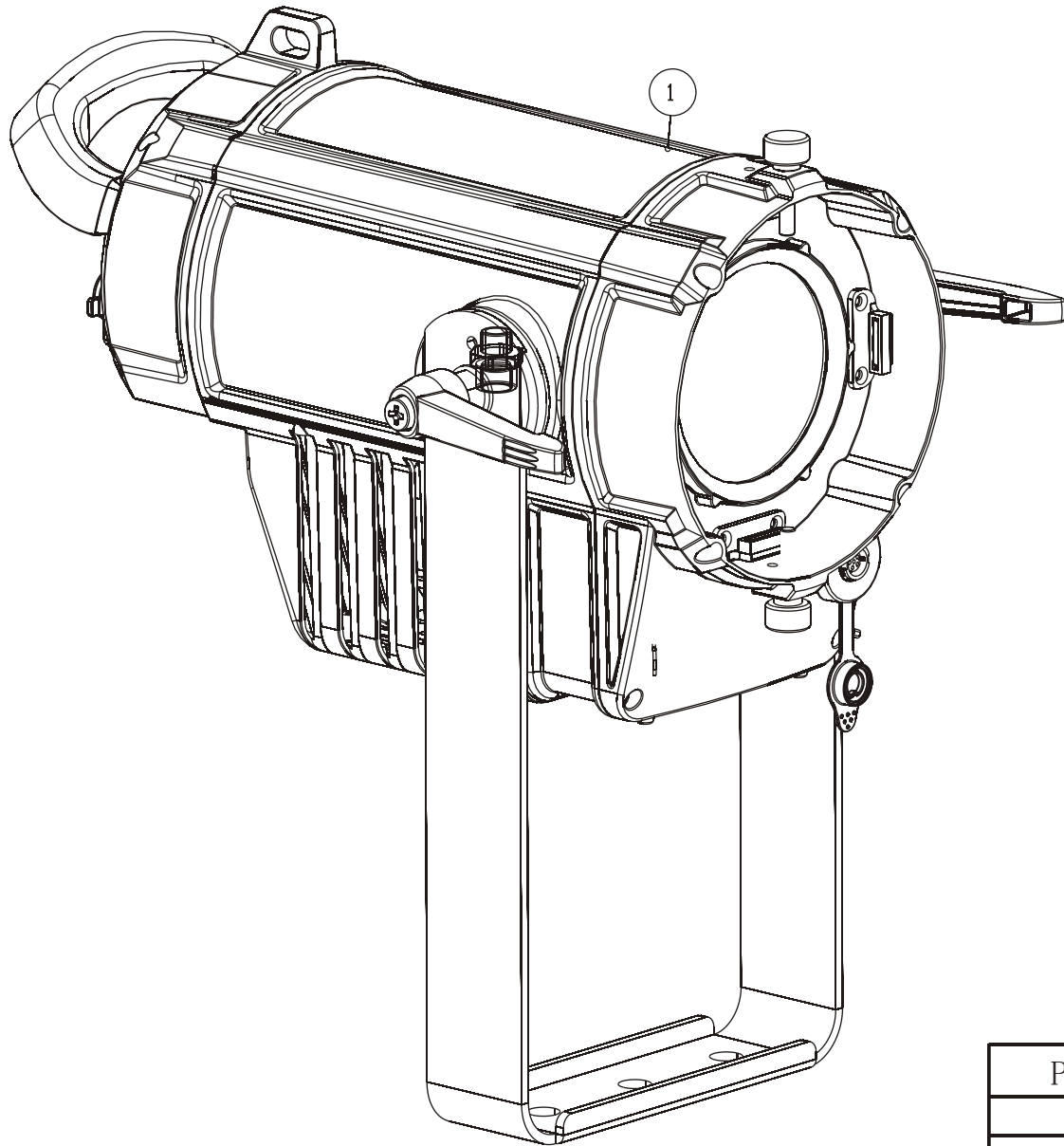
Service manual

CW PROFILE HP IP

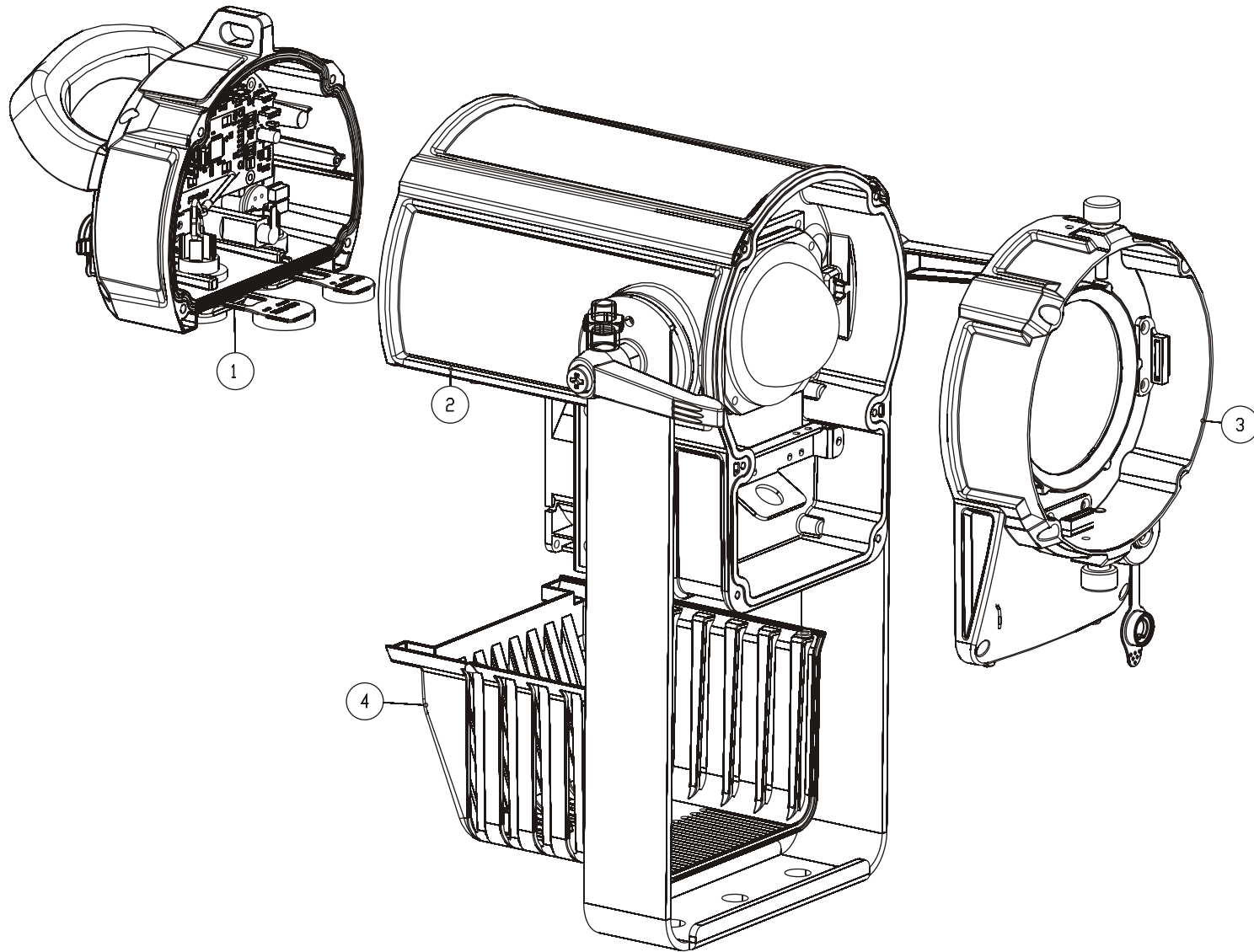
- ✘ Exploded Diagrams
- ✘ Circuit Diagrams
- ✘ Wiring Diagrams
- ✘ Parts List



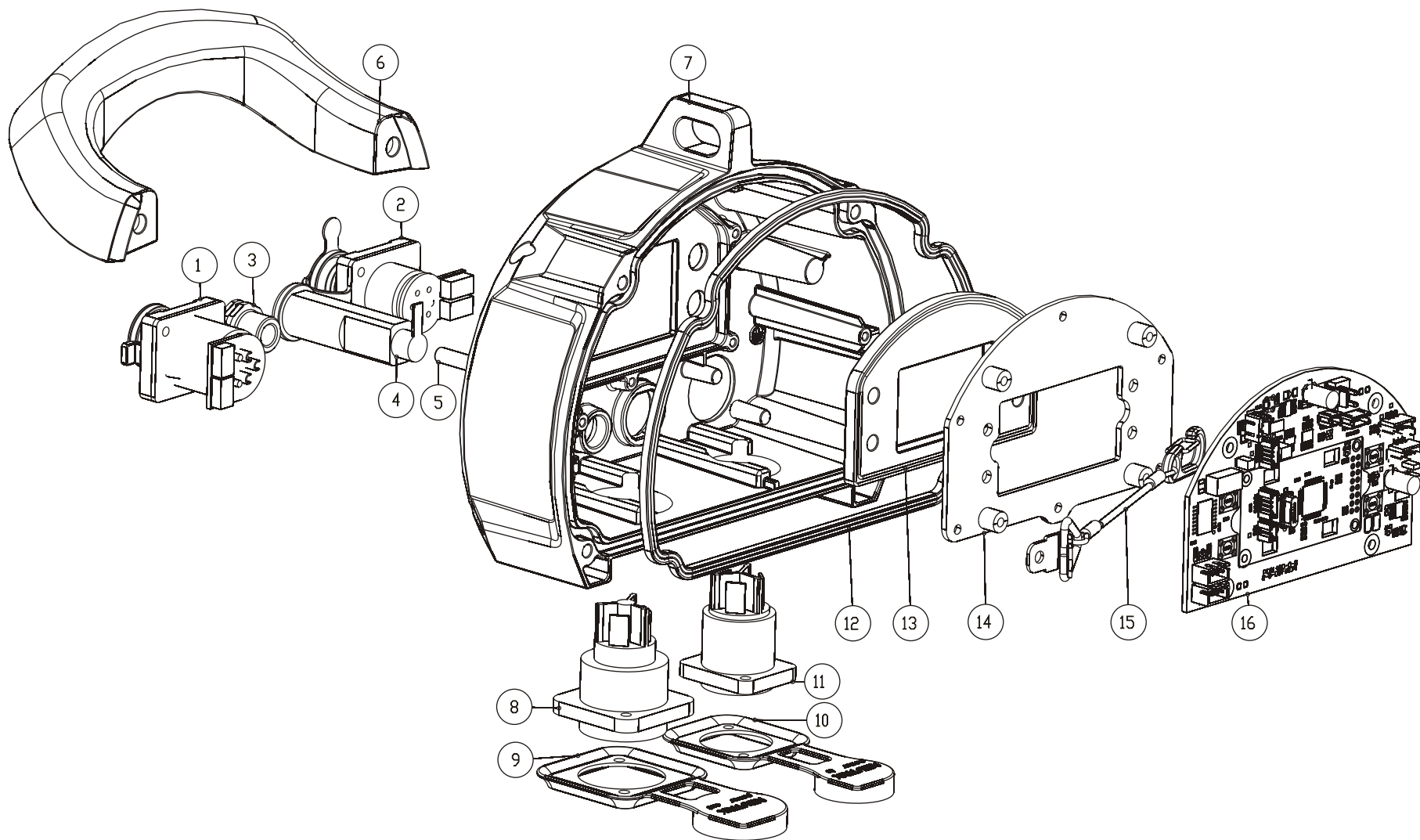
PRODUCT		CW Profile HP IP	
PIC. NO.		Front Page	Series No. N/A
EDIT		FILE NO.	HY-EXP-1829A
CHECK		ORDER NO.	SO20172266
APPROVE		VERSION	V100_001



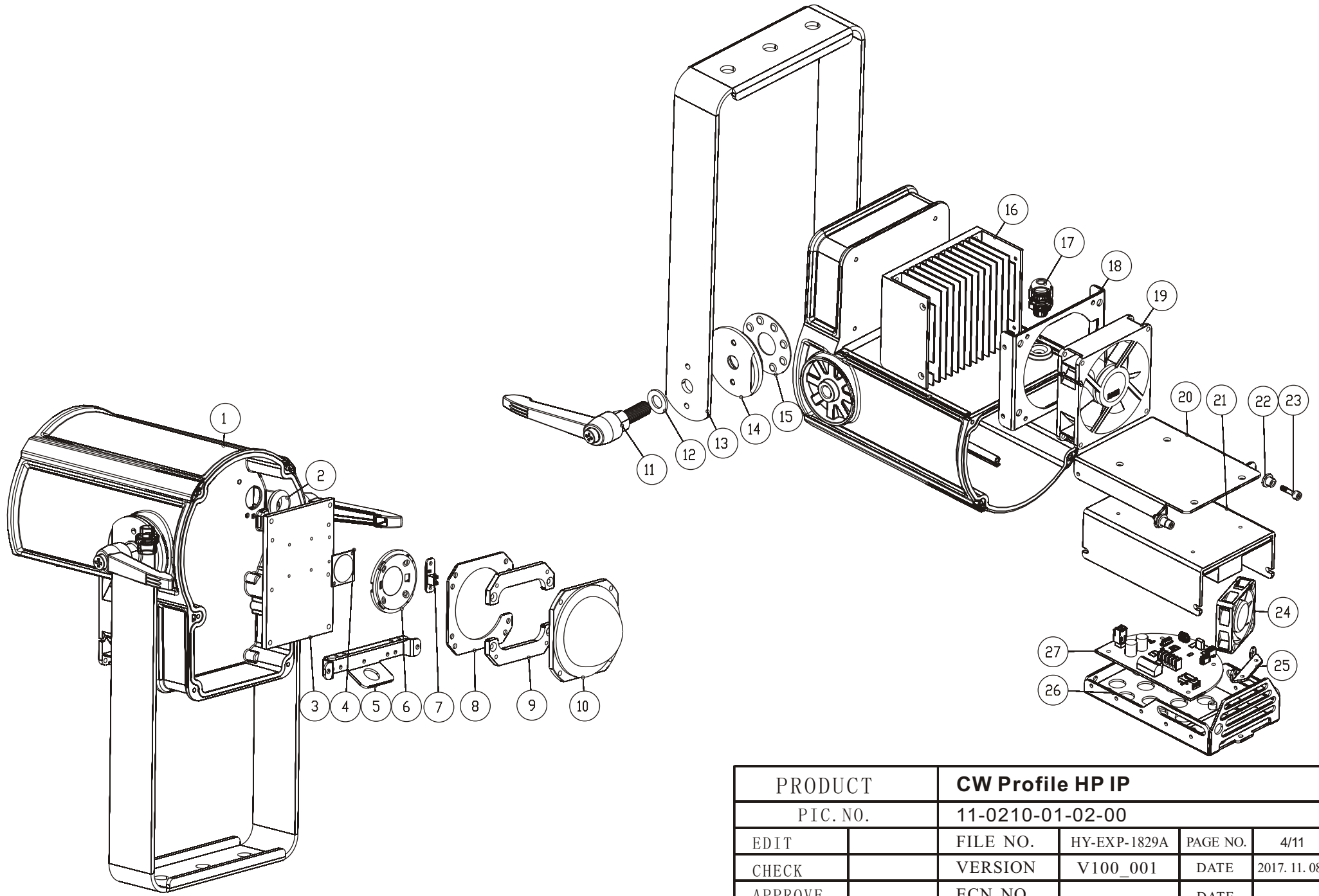
PRODUCT		CW Profile HP IP			
PIC. NO.		11-0210-00-00-00			
EDIT		FILE NO.	HY-EXP-1829A	PAGE NO.	1/11
CHECK		VERSION	V100_001	DATE	2017. 11. 08
APPROVE		ECN NO.		DATE	



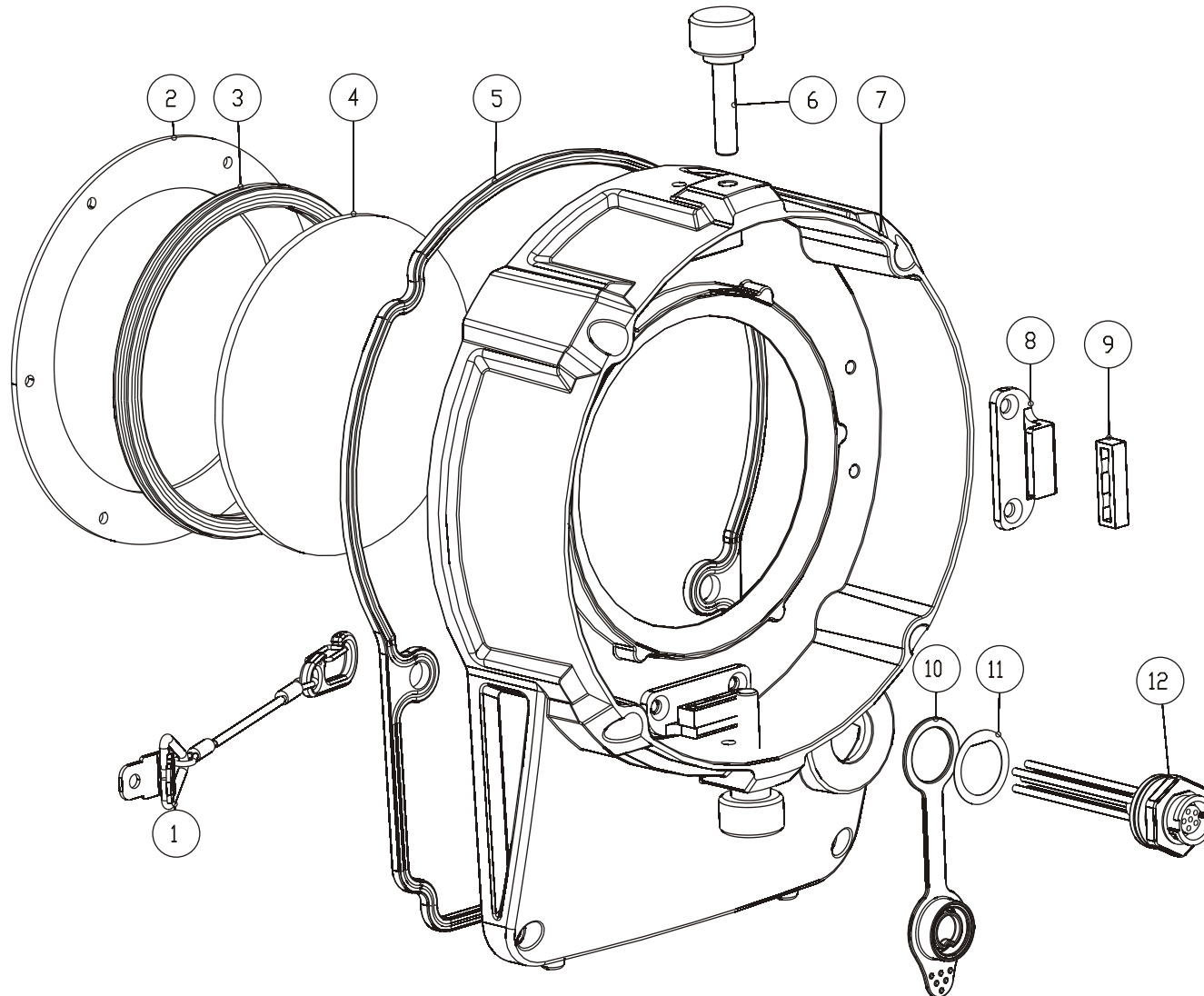
PRODUCT		CW Profile HP IP			
PIC. NO.		11-0210-01-00-00			
EDIT		FILE NO.	HY-EXP-1829A	PAGE NO.	2/11
CHECK		VERSION	V100_001	DATE	2017. 11. 08
APPROVE		ECN NO.		DATE	



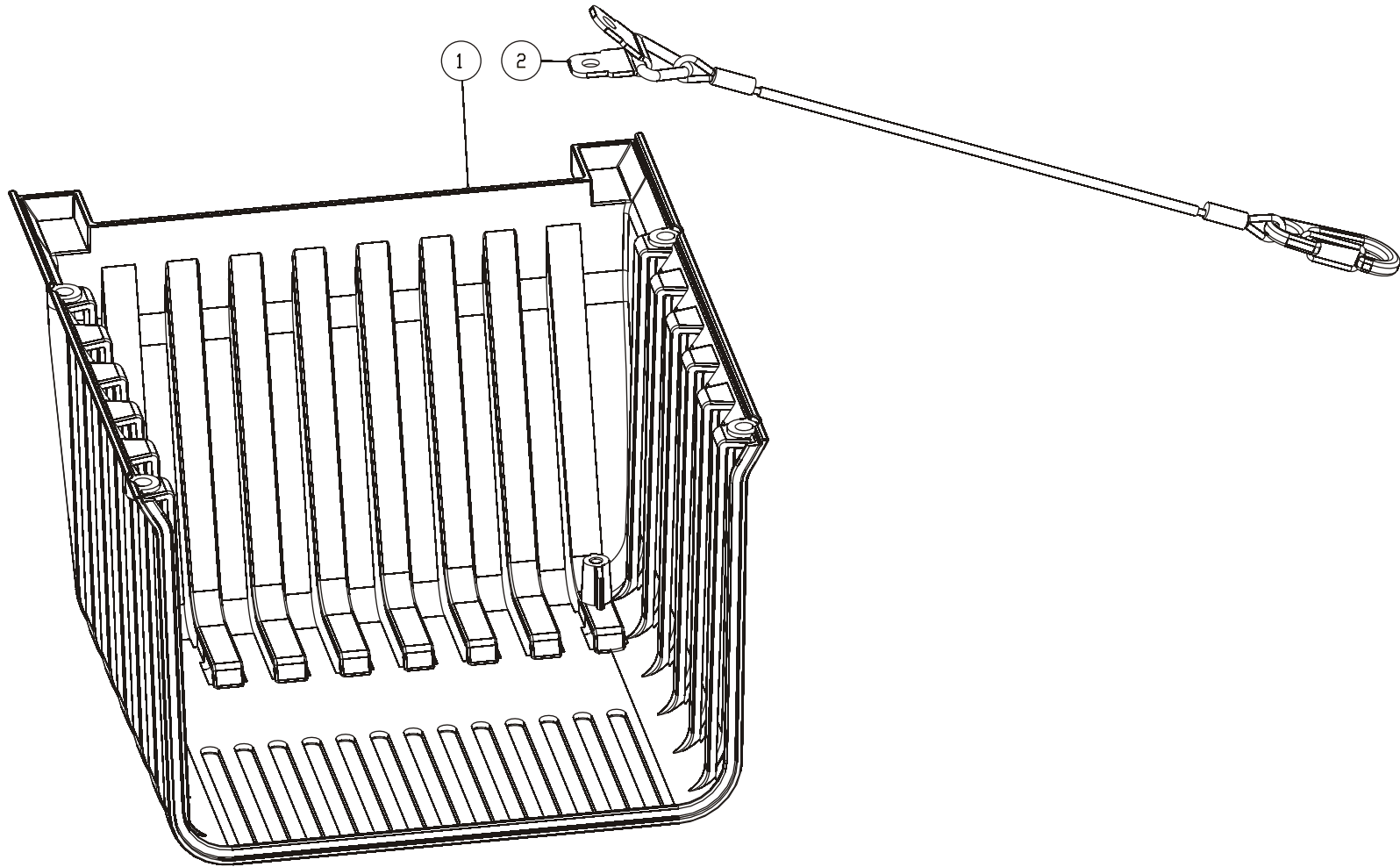
PRODUCT		CW Profile HP IP			
PIC. NO.		11-0208-01-01-00			
EDIT		FILE NO.	HY-EXP-1829A	PAGE NO.	3/11
CHECK		VERSION	V100_001	DATE	2017. 11. 08
APPROVE		ECN NO.		DATE	



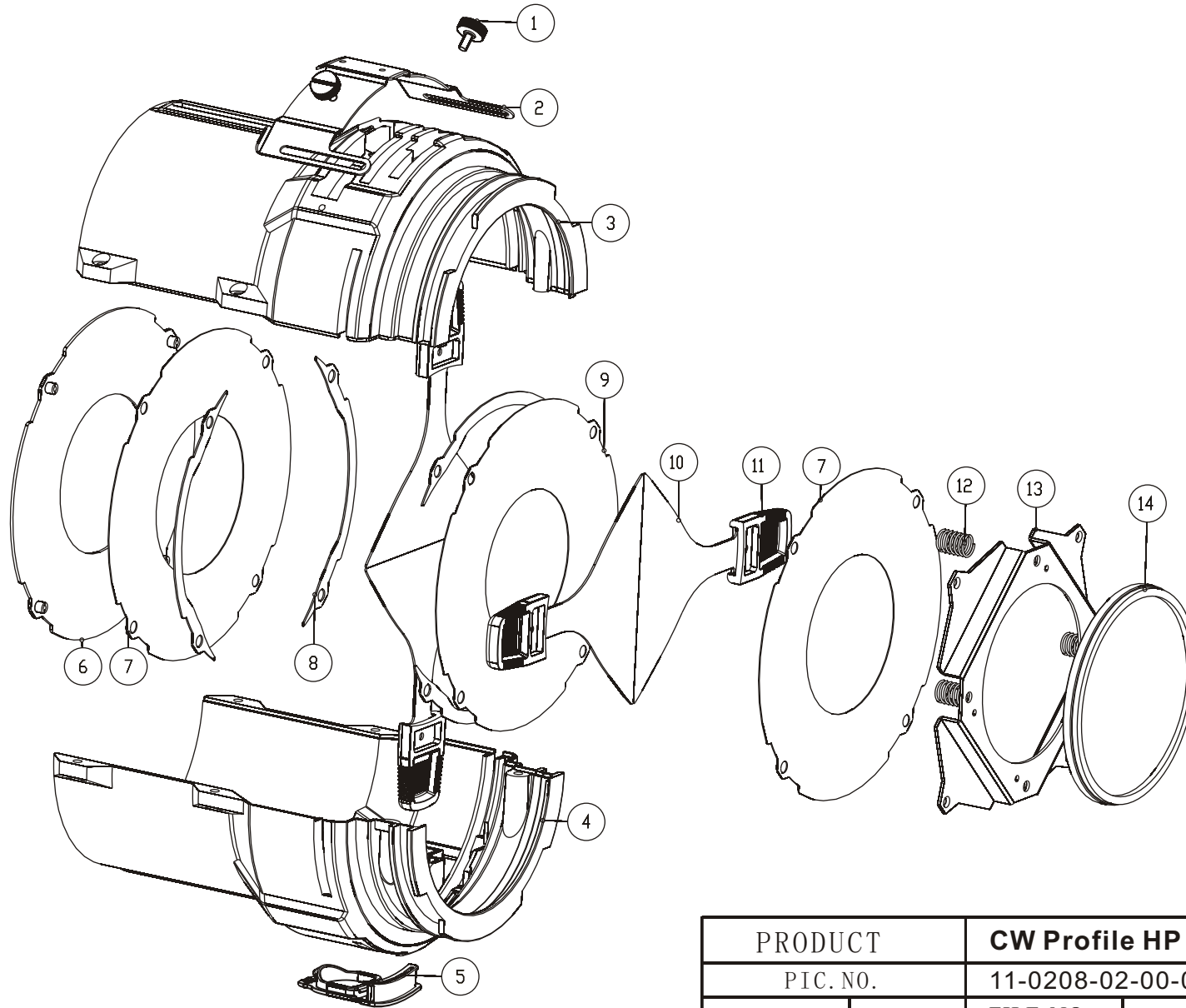
PRODUCT		CW Profile HP IP			
PIC. NO.		11-0210-01-02-00			
EDIT		FILE NO.	HY-EXP-1829A	PAGE NO.	4/11
CHECK		VERSION	V100_001	DATE	2017.11.08
APPROVE		ECN NO.		DATE	



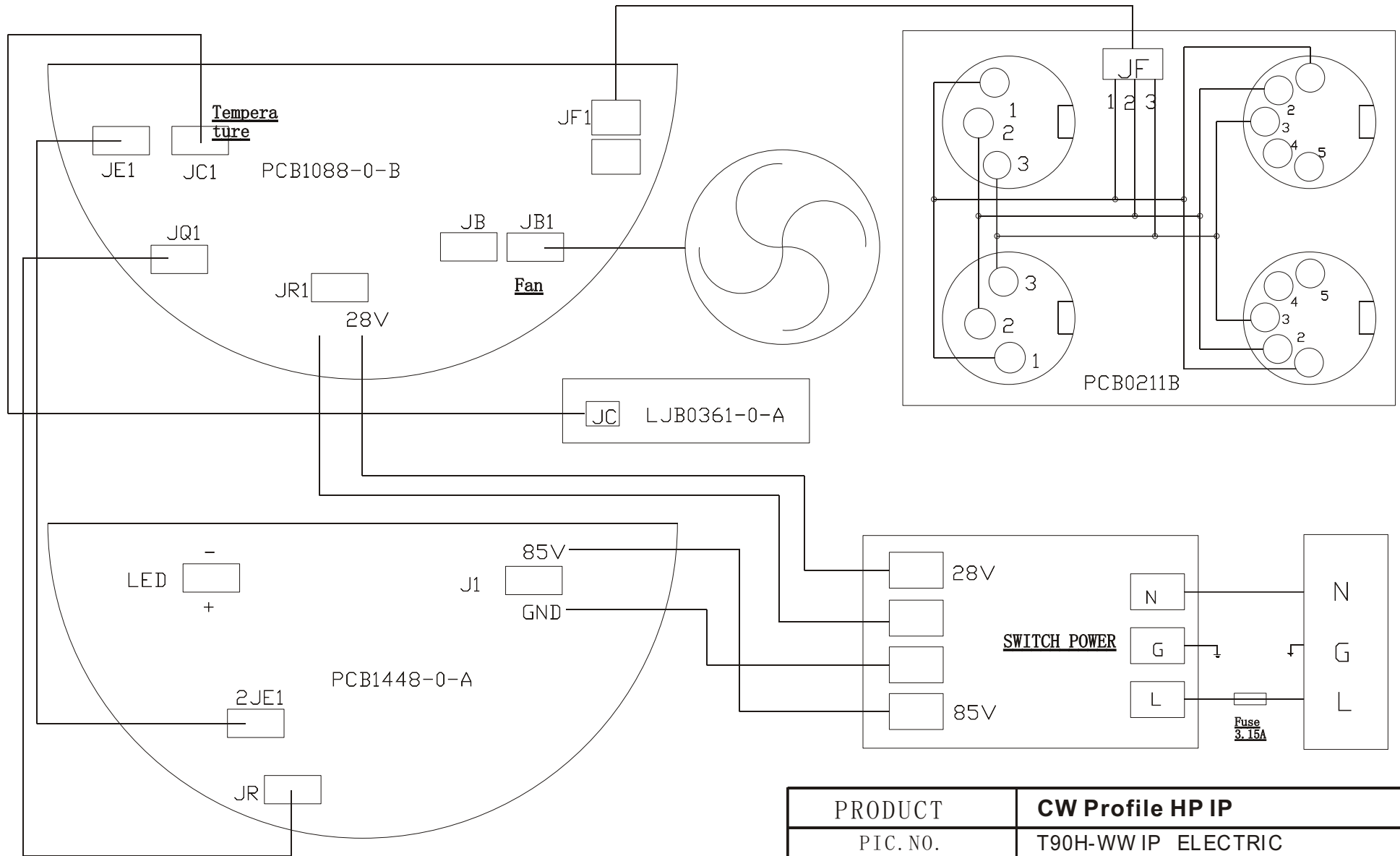
PRODUCT		CW Profile HP IP			
PIC. NO.		11-0208-01-03-00			
EDIT		FILE NO.	HY-EXP-1800A	PAGE NO.	5/11
CHECK		VERSION	V100_001	DATE	2017. 11. 08
APPROVE		ECN NO.		DATE	



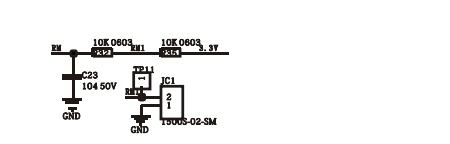
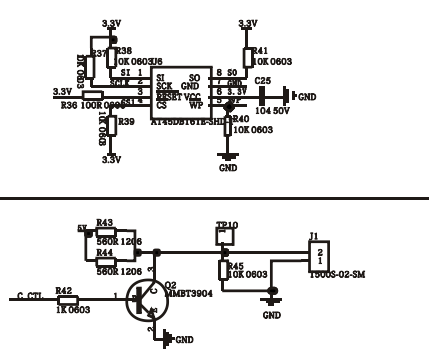
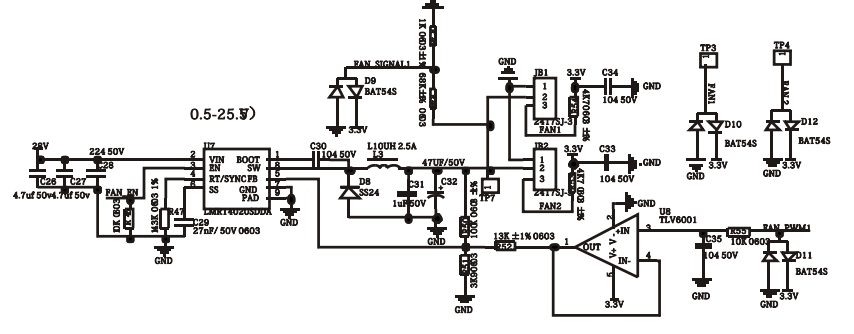
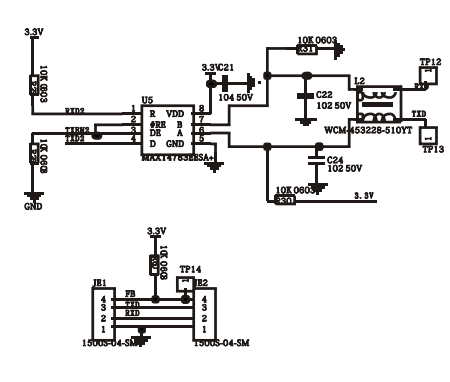
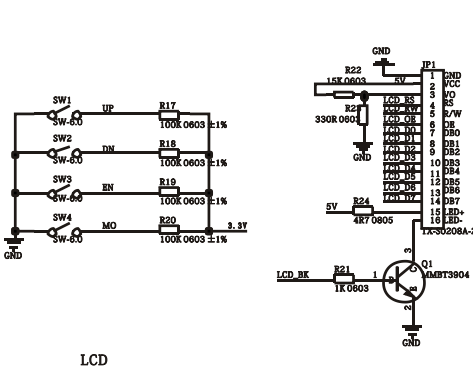
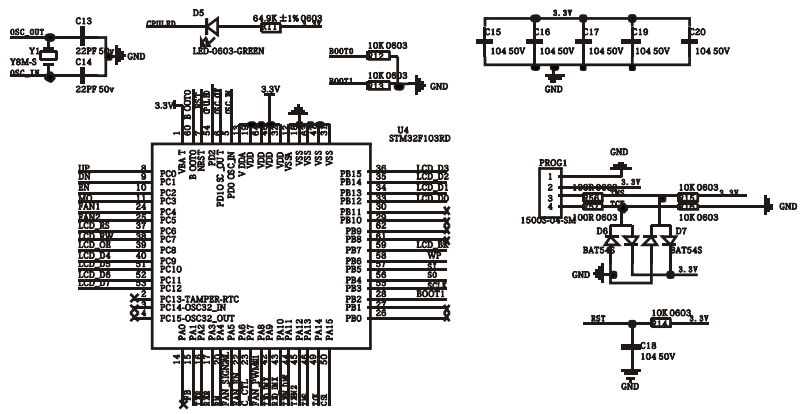
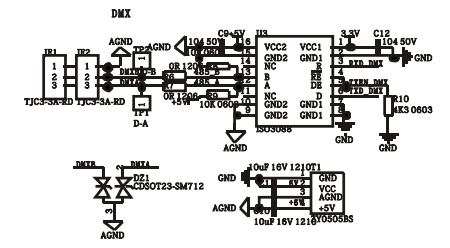
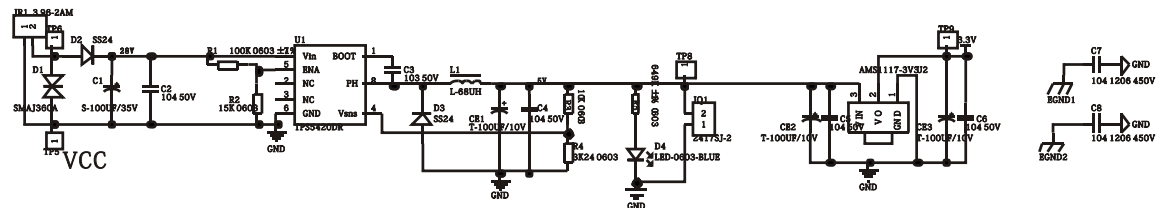
PRODUCT		CW Profile HP IP			
PIC. NO.		11-0208-01-04-00			
EDIT		FILE NO.	HY-EXP-1829A	PAGE NO.	6/11
CHECK		VERSION	V100_001	DATE	2017. 11. 08
APPROVE		ECN NO.		DATE	



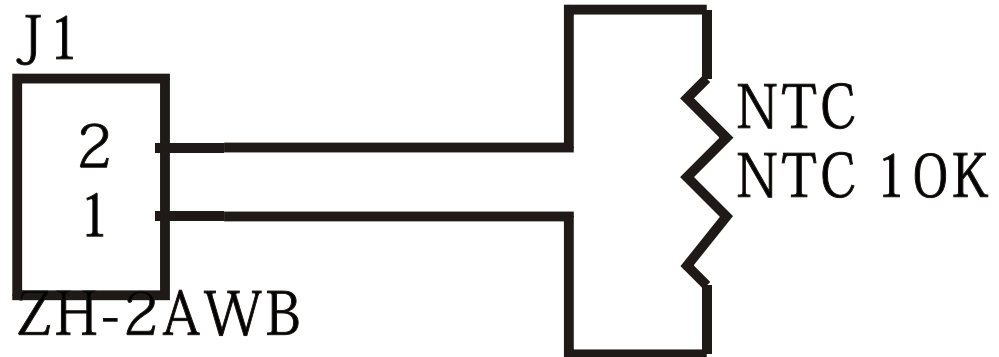
PRODUCT		CW Profile HP IP			
PIC. NO.		11-0208-02-00-00			
EDIT		FILE NO.	HY-EXP-1829A	PAGE NO.	7/11
CHECK		VERSION	V100_001	DATE	2017.11.08
APPROVE		ECN NO.		DATE	



PRODUCT		CW Profile HP IP			
PIC. NO.		T90H-WW IP ELECTRIC			
EDIT		FILE NO.	HY-WIJL-L042	PAGE NO.	8/11
CHECK		VERSION	NR	DATE	2017. 11. 08
APPROVE		ECN NO.		DATE	



PRODUCT		CW Profile HP IP			
PIC. NO.		PCB1480-0-B SCHEME			
EDIT		FILE NO.	HY-WIEC-1782	PAGE NO.	9/11
CHECK		VERSION	NR	DATE	2017. 11. 08
APPROVE		ECN NO.		DATE	



PRODUCT		CW Profile HP IP			
PIC. NO.		LJB0361-0-A SCHEME			
EDIT		FILE NO.	HY-WIEC-1715	PAGE NO.	10/11
CHECK		VERSION	NR	DATE	2017. 11. 08
APPROVE		ECN NO.		DATE	

